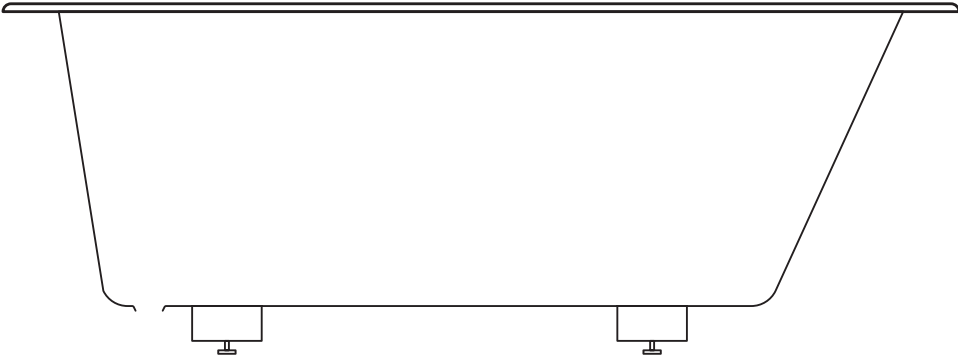
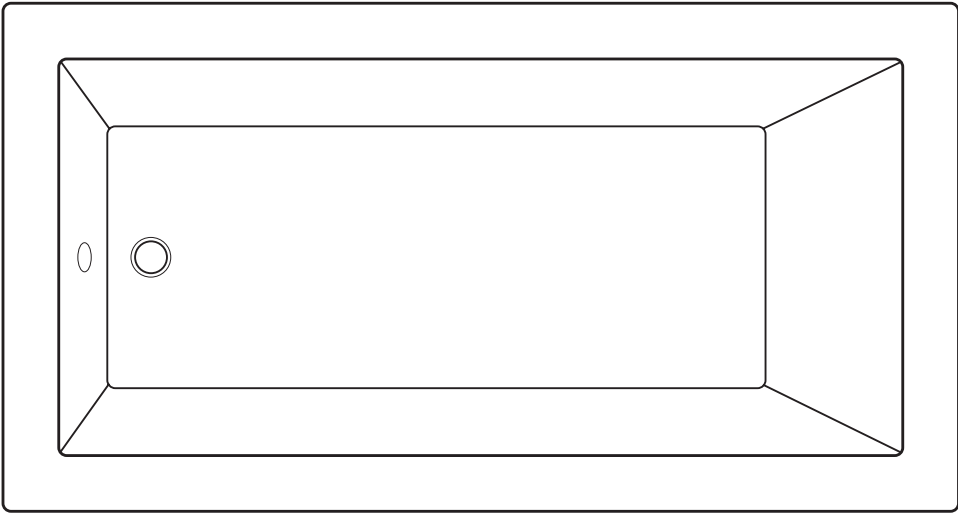


INSTALLATION GUIDE



INSTALLATION GUIDE

Thank you for choosing Valley Acrylic Products. This installation manual provides general information on the installation of our products.



IMPORTANT INFORMATION

DO NOT lift or carry your unit by the grab bar. If your unit is equipped with a whirlpool system, it is very important **NOT** to carry it by the whirlpool piping.

BEFORE YOU BEGIN

- Read the instructions carefully before beginning the installation.
- Consult local building codes to make sure the installation complies with standards.
- Remove the unit from its packaging. Before disposing, packaging and taking unit from your sales person, inspect the unit to make sure it is in good shape.
- Should inspection reveal any damage or defect in the finish, Contact Us. The warranty does not cover damages or defects in the finish once the unit has been installed. Valley's responsibility for shipping damages ceases upon delivery of the product in good order to the carrier. All complaints regarding damage due to transport must be made directly to the carrier.
- It is recommended that you place the unit in the bathroom before you start. Sectional units should be disassembled if necessary. Conserve all nuts and bolts.
- To protect the unit during installation, we suggest that you lay a piece of flat cardboard on the bottom.
- Do not remove the polyethylene protective film until installation is complete to gain maximum protection. Do remove it where two surfaces will be in permanent contact.
- The floor must be level and strong enough to support the weight of the water-filled bathtub. If you are renovating, bring down the walls to install framing and plumbing. Make sure the walls are properly insulated and comply with the appropriate building code.
- Verify that all dimensions on the plan are the same, as the ones of the unit.
- If an apron is to be installed, make sure the bathtub is at the same height as the floor covering.
- If your bathtub is equipped with both a whirlpool and an air system, space must be made for the air system's blower either inside or outside the alcove or island. If the blower cannot be installed under the bathtub, it can be located up to 9 feet away.
- Make sure an access panel - 30" x 30" (750 mm x 750 mm) must be located near the whirlpool pump and/or the air system blower to allow easy servicing.
- Access must be provided for each product component (water heater, light, nozzle, electronic and air control, faucet).
- Whirlpool and/or air systems must be connected before final installation (see the installation and user's guide for whirlpool and air systems).

INSTALLATION GUIDE

REQUIRED TOOLS

- Measuring Tape.
- Pencil.
- 3/16" (5mm) and 1/8" (3mm) drill bits.
- Hole saw.
- Electric drill.
- Screwdriver.
- Pliers.
- Level.
- Safety glasses.
- Water-resistant glue.
- Silicone sealant.
- Wood wedges.
- 2" x 2" x 3" wood blocks (51mm x 51mm x 76mm)
- No.8 x 1 1/4" screws (4.2mm x 32mm) Flat or Phillips head).
- 3/4" x 1" wood stud (19mm x 25mm) for alcove installation,

STRUCTURE INSTALLATION

Do not build the surrounding structure before receiving your unit. Structure measurements should be verified against the unit to ensure a proper fit.

PLUMBING

Make sure you install all plumbing and drainage before securing the unit. It is always recommended to have a competent, professional plumber do the plumbing installations.

Before drilling a hole in the floor for the drainpipe, make sure there are no hidden elements underneath (pipes, floor joists, heating ducts, electrical wires, etc).

LEVELING AND SUPPORT

The unit must be installed perfectly levelled. Level the unit using wood edges fixed to the floor under the wooden base or using mortar cement. All the legs must be in contact with the floor. If the leveling does not permit it, it is imperative to add a wood edge to support the bath or the shower.

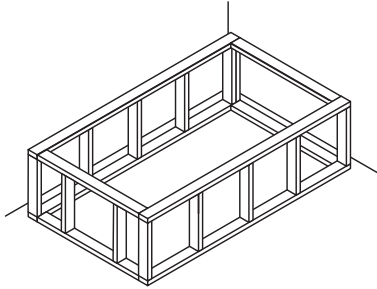
To provide additional support, improve soundproofing and facilitate leveling, it is recommended that a layer of mortar or plaster be applied to the base of the bathtub legs, and covered with a 1/16" (2 mm) polyethylene sheet. The layer should be thick enough to facilitate the leveling of the unit without raising it. Once the unit is in position, ensure it is level in both directions for proper draining.

Leveling must be done under the wood legs located beneath the unit. Do not level directly behind or under the flange at the front of the unit.

INSTALLATION GUIDE

01

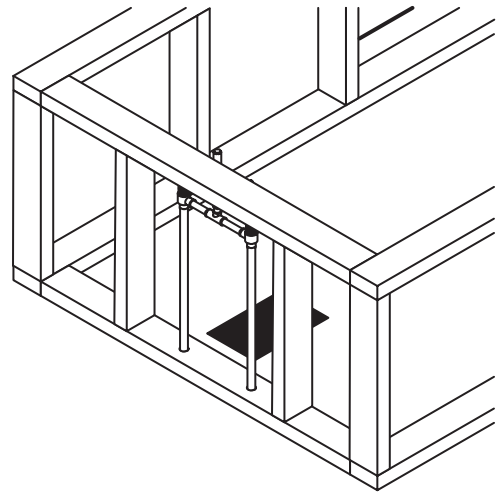
A. Construct the framing.
Refer to the bathtub specification sheet.



*Make sure the subfloor is level.
Provide drain access from below.
Provide access to all plumbing connections.
Observe all local building and plumbing codes.*

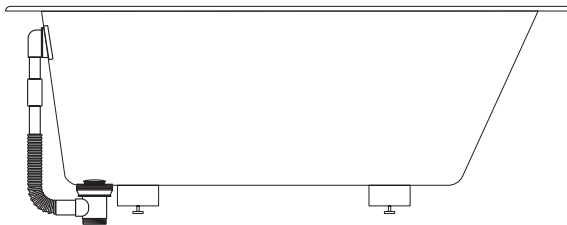
02

A. Install the rough plumbing.



03

A. Install bathtub drain

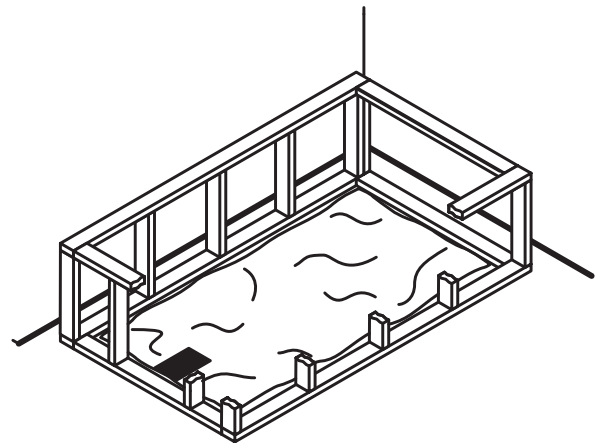


*We recommend to install Valley Acrylic
A18305 / A18305XL Bathtub Drain*

04.A

A. Mortar Bed Use:

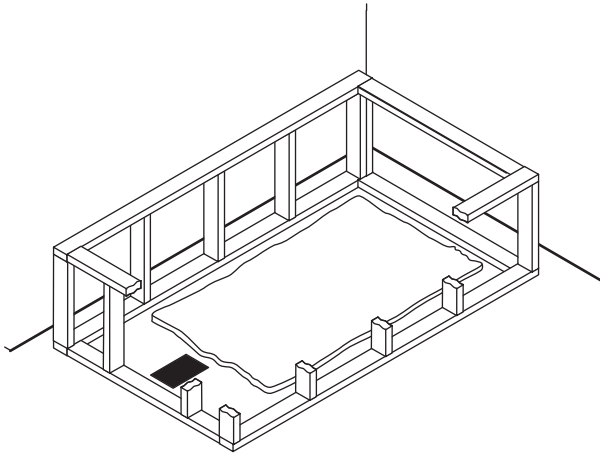
Lay plastic film on wooden subfloors if desired to prevent water absorption.



INSTALLATION GUIDE

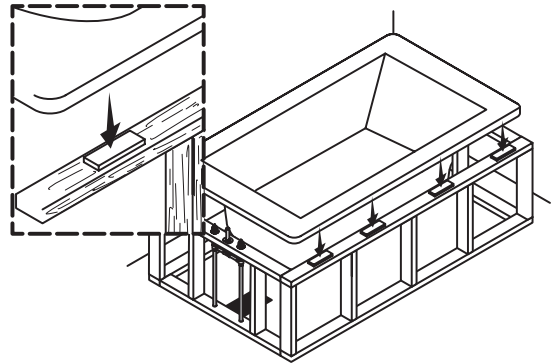
04.B

B. Set the tub area in 1" (25 mm) to 2" (51 mm) of mortar cement.



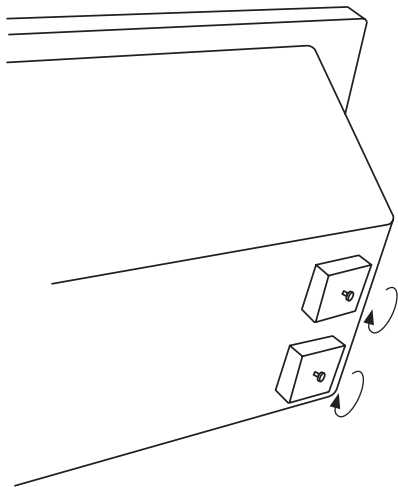
05

A. Lift the bath into place.
If frame is not fully level, put spacers to adjust the level.



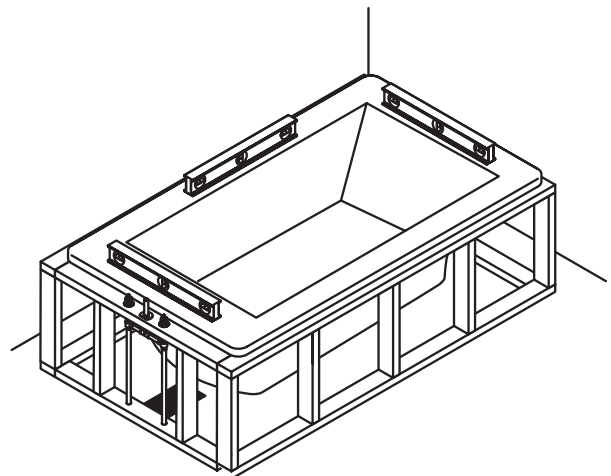
06.A

A. Adjust / level the tub with the adjustable feet.



06.B

B. Verify level.
Ensure the feet or base are supported.



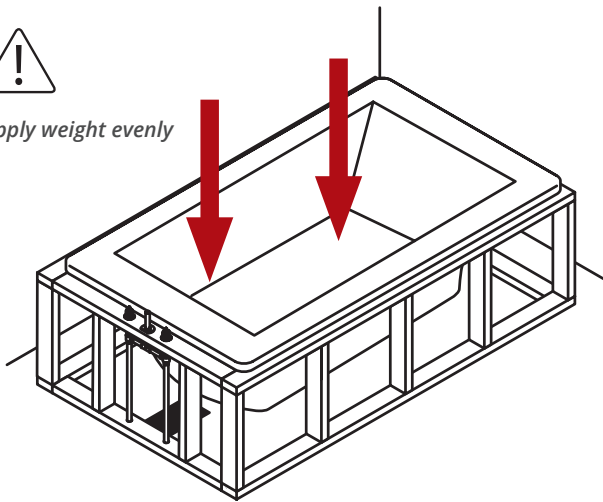
INSTALLATION GUIDE

07

A. Apply weight to the bath basin until the mortar or adhesive sets.

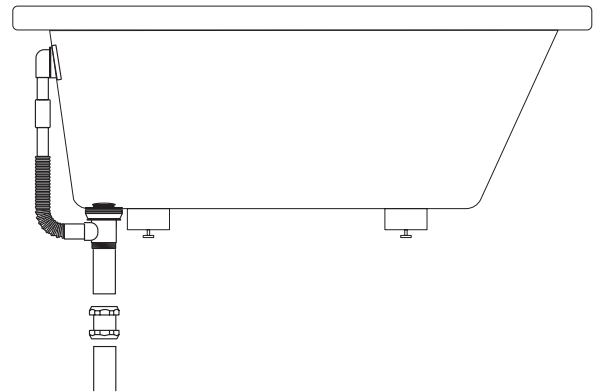


Apply weight evenly



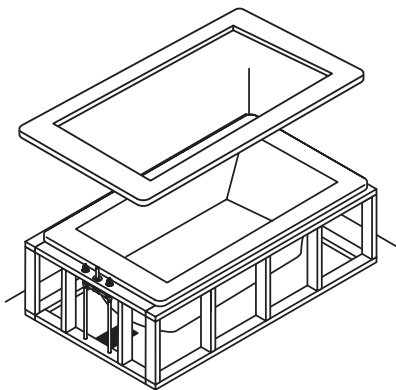
08

A. Make the final drain connections. Test for any leaks.



09

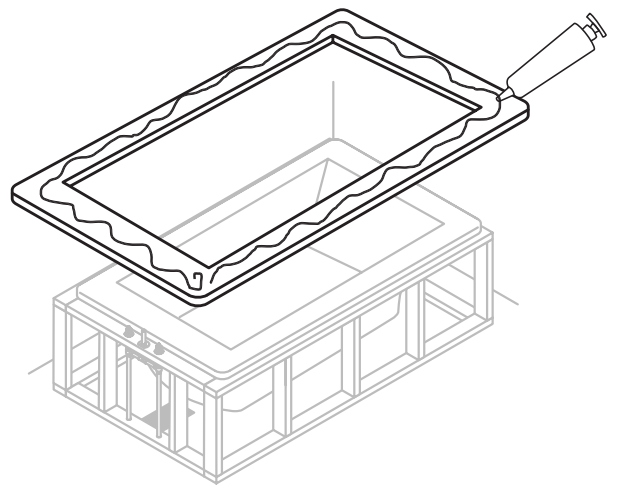
A. Construct the counter. Refer to the bathtub specification sheet.



Make sure the tub is level.

10

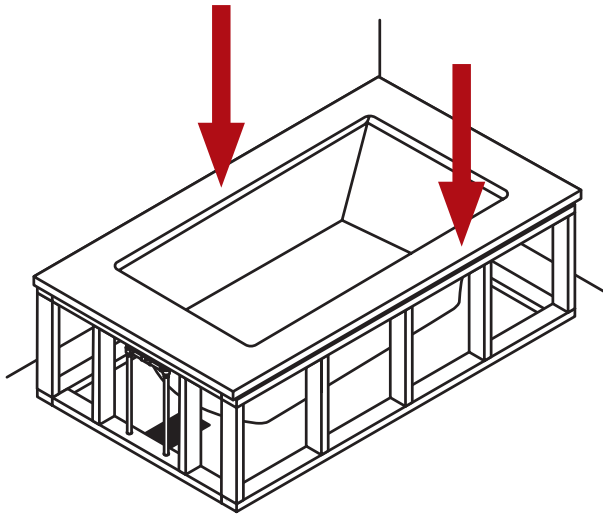
A. Apply a bead of 100% silicone or your choice of adhesive sealant along the counter frame



INSTALLATION GUIDE

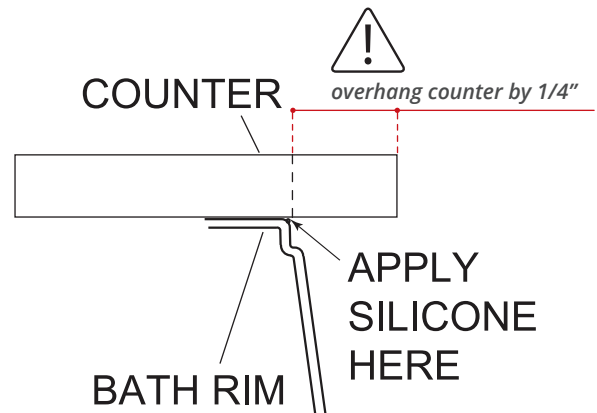
11

A. Apply weight to the bath basin until the silicone or adhesive sets.



12

A. Apply a continuous bead of silicone sealant around the entire seam between the counter and bath rim. Allow sealant to skin over or cure before cleaning the counter or bath.



Congratulations! You are now a part of the Valley Acrylic family.

